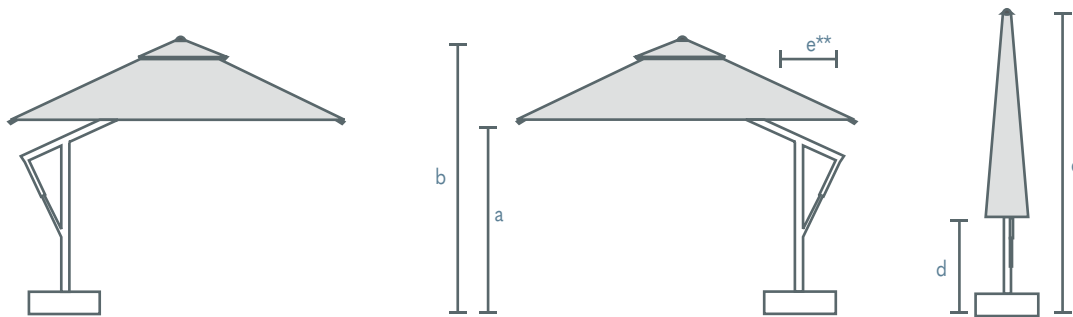







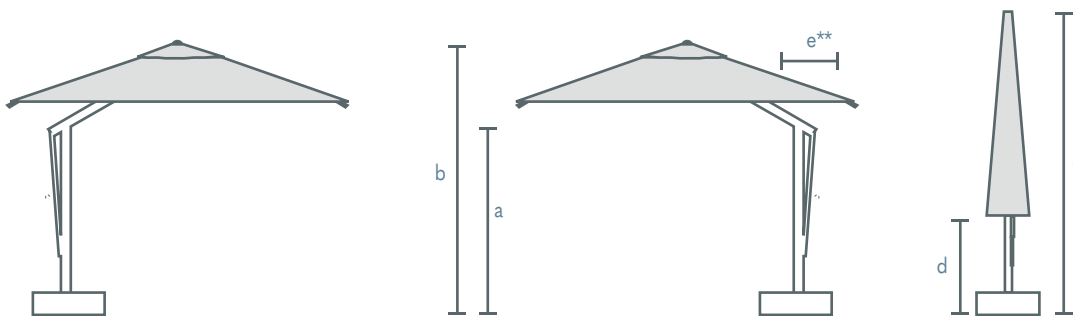
SUMMER / SUMMER SLIM CANTILEVER



GENERAL MEASUREMENTS



DETAILED MEASUREMENTS

MODEL			a	b	c	d	e	
	SUM2525	8' 0" x 8' 0"	250 x 250	7' 1" 215	8' 8" 265	11' 2" 340	5' 3" 161	1" 2
	SUM3030	10' 0" x 10' 0"	300 x 300	8' 8" 265	8' 8" 265	11' 2" 340	4' 3" 130	9" 23
	SUM3535	11' 6" x 11' 6"	350 x 350	7' 1" 215	8' 10" 270	11' 2" 340	3' 0" 91	1' 7" 49
	SUM4040	13' 0" x 13' 0"	400 x 400	7' 1" 215	9' 0" 275	12' 0" 365	2' 10" 86	1' 5" 42
	SUM3020	10' 0" x 6' 6"	300 x 200	7' 1" 215	8' 8" 265	11' 2" 340	5' 2" 158	11" 27
	SUM3025	10' 0" x 8' 0"	300 x 250	7' 1" 215	8' 8" 265	11' 2" 340	4' 7" 140	1" 2
	SUM3525	11' 6" x 8' 0"	350 x 250	7' 1" 215	8' 8" 265	11' 2" 340	4' 1" 125	1" 2
	SUM4030	13' 0" x 10' 0"	400 x 300	7' 1" 215	9' 0" 275	11' 2" 340	3' 0" 92	10" 25
	SUMD30	Ø 10' 0"	Ø 300	7' 0" 214	8' 6" 260	11' 2" 340	6' 1" 185	4" 9
	SUMD35	Ø 11' 6"	Ø 350	7' 5" 225	8' 8" 265	11' 2" 340	5' 3" 160	1' 1" 32



GENERAL MEASUREMENTS

DETAILED MEASUREMENTS

MODEL			a	b	c	d	e	
	SUML2525	8' 0" x 8' 0"	250 x 250	7' 4" 225	8' 7" 265	11' 2" 340	5' 3" 161	6" 18
	SUML2520	8' 0" x 6' 6"	250 x 200	7' 4" 225	8' 7" 265	11' 2" 340	5' 2" 158	6" 18
	SUML3020	10' 0" x 6' 6"	300 x 200	7' 4" 225	8' 7" 265	11' 2" 340	5' 2" 158	6" 18
	SUML3025	10' 0" x 8' 0"	300 x 250	7' 1" 215	8' 4" 255	11' 2" 340	4' 6" 140	6" 18
	SUML3520	11' 6" x 6' 6"	350 x 200	7' 4" 225	8' 7" 265	11' 2" 340	4' 6" 140	6" 18
	SUML3525	11' 6" x 8' 0"	350 x 250	7' 1" 215	8' 4" 255	11' 2" 340	4' 1" 124	6" 18



SUMMER / SUMMER SLIM

SPECIFICATIONS

CATEGORY	Cantilever Umbrella	CANOPY	Yarn Dyed Marine Grade Acrylic 320 gsm
SHAFT SIZE	3.54" × 3.54" (90mm × 90mm)	ADJUSTABLE HEIGHT	No
SHAFT ALUMINUM THICKNESS	0.1" (2.5mm)	CANOPY TILT	No
SHAFT MATERIAL	Aluminum	UMBRELLA ROTATION	360°
NUMBER OF RIBS	8 Ribs	WEIGHT OF STRUCTURE	Approx 66 lbs (30 kg)
RIB MEASUREMENTS	1.38" × 0.79" (35mm × 20mm)	OPENING/CLOSING	Crank (with manual lift)
RIB ALUMINUM THICKNESS	0.08" (2mm)	MECHANISM DETAILS	One Winch with Cable
RIB MATERIAL	Aluminum	TELESCOPIC	No
RIB JOINTS	Nylon Triangle with Rivets	NUTS, BOLTS, SCREWS	Stainless Steel
ALUMINUM FINISH	Ribs and Shaft Powder Coated	VENT	Soft
		UMBRELLA COVER	Standard Cover Included

OPTIONS

▶ RAISED VENT



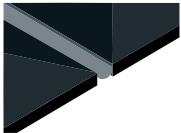
▶ TILTING



Summer Prestige

ACCESSORIES

▶ GUTTERS



Fabric gutter to connect umbrellas.

Vinyl top for water flow and connected with zipper and velcro.

▶ CURTAINS



Fabric curtains to enclose umbrella area.

Can be made with vinyl windows.

Must be used with support rods.

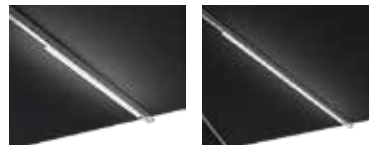
LIGHTING

▶ LED SPOT LIGHTS



Watt 3
Volt 12

▶ LED STRIP LIGHTS



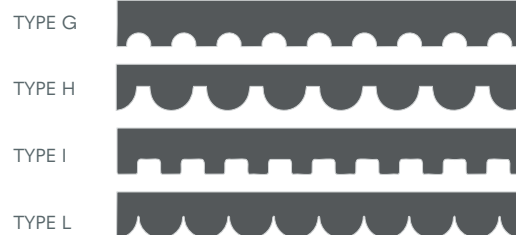
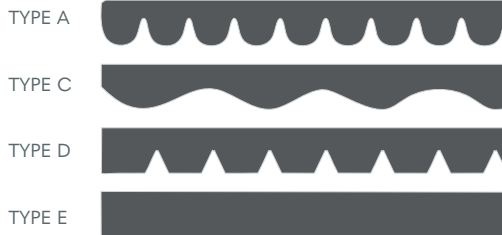
cm. 50	100
in. 20"	40"
Watt 9	18
Volt 12	12



SUMMER / SUMMER SLIM

CANOPY

▶ VALANCE



▶ ACCENT BORDERS



▶ FRINGE



▶ CONTRAST BINDING



▶ CONTRAST STITCHING

